

# VULCAN TECH GOSPEL #2

BY DAVID CANTOR AND NOEL YEE

## CHAPTER #2: ANTISPIN VS SPIN TRANSITION THEORY

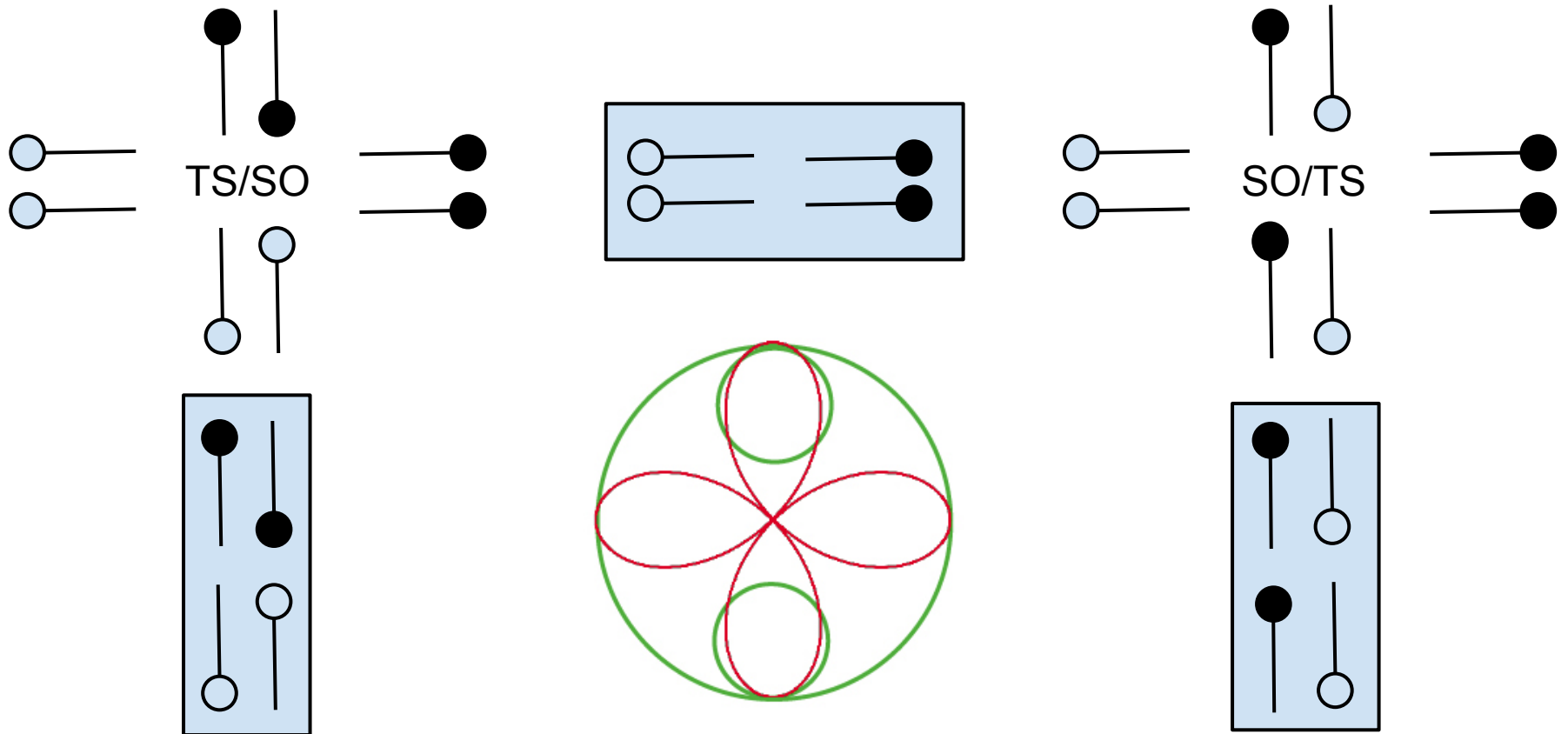
Diamond Antispin Vs. Two Petal Spin Flower Vertical Orientation

Diamond Antispin Vs. Two Petal Spin Flower Horizontal Orientation

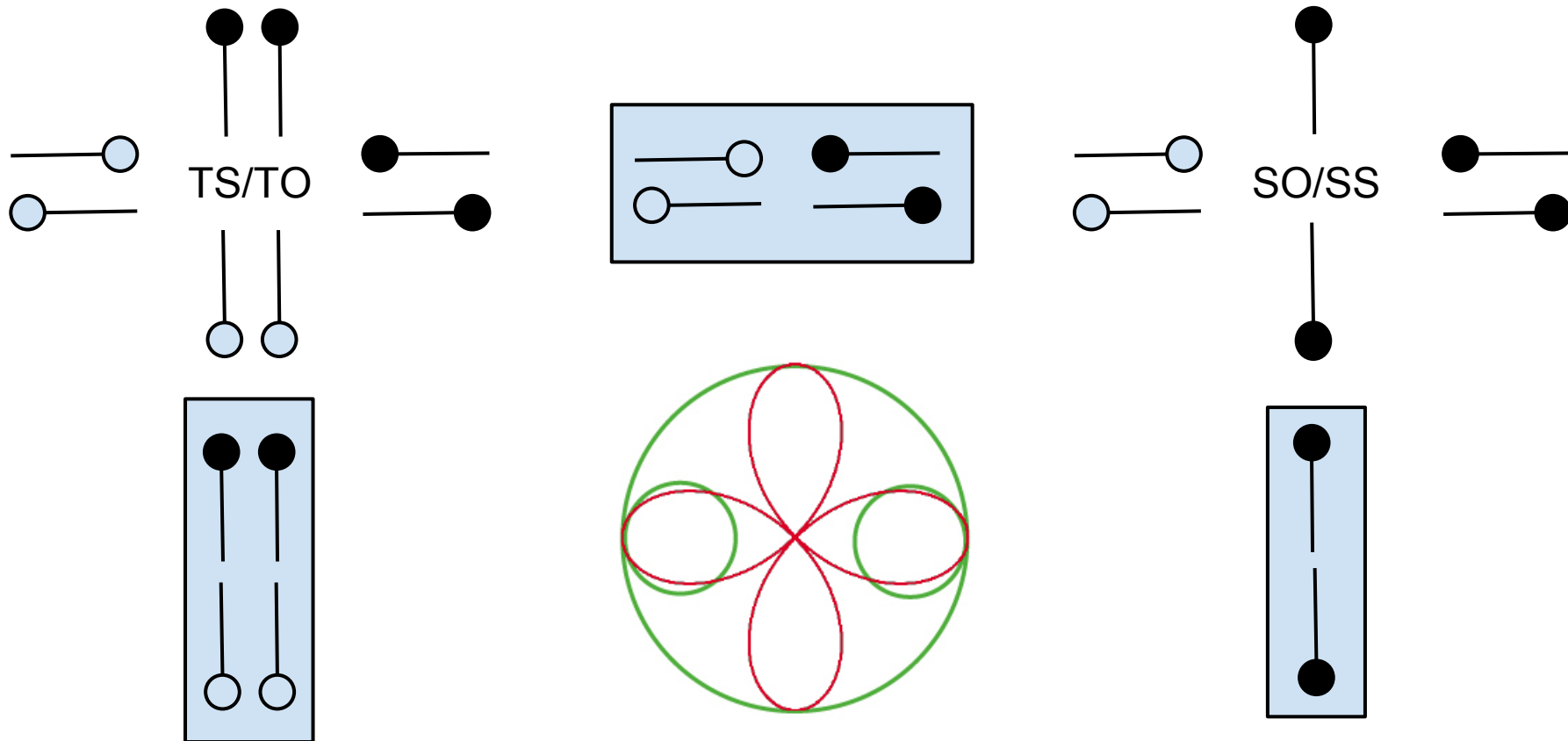
Box Antispin Vs. Two Petal Spin Flower Vertical Orientation

Box Antispin Vs. Two Petal Spin Flower Horizontal Orientation

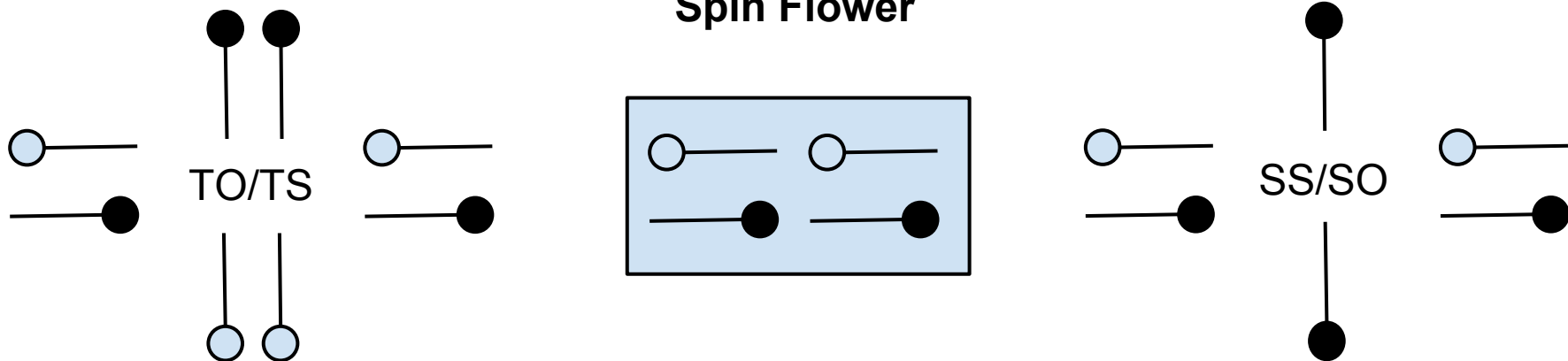


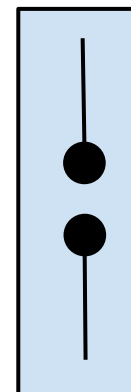
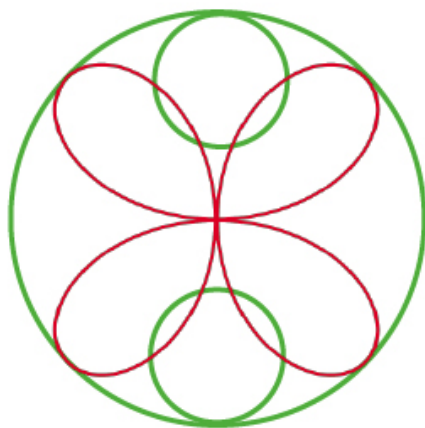
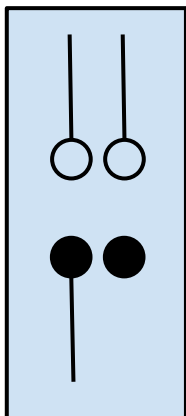
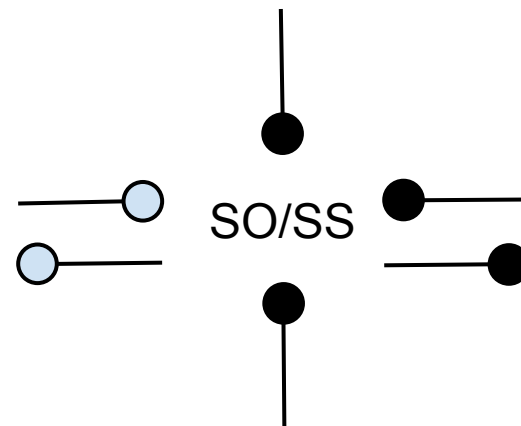
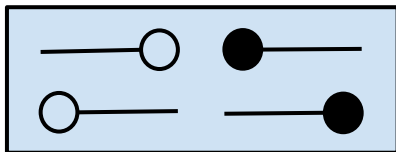
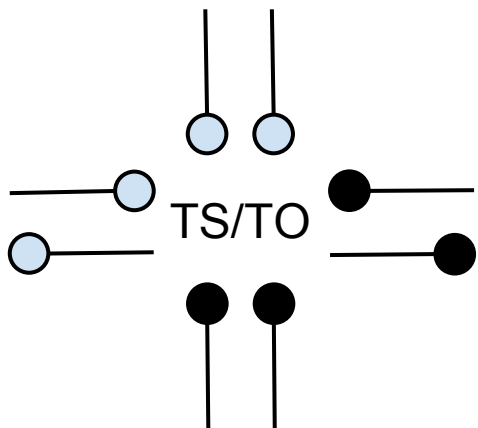


**Diamond Antispin vs Vertical 2 Petal Spin Flower**

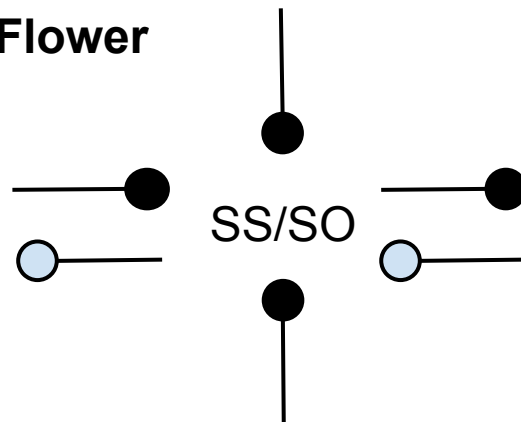
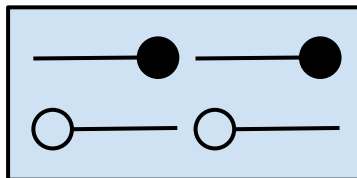
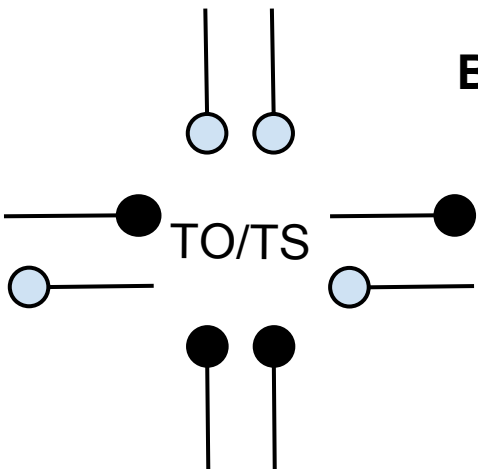


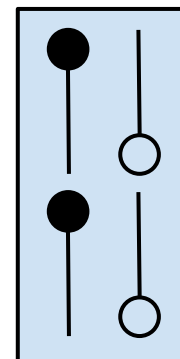
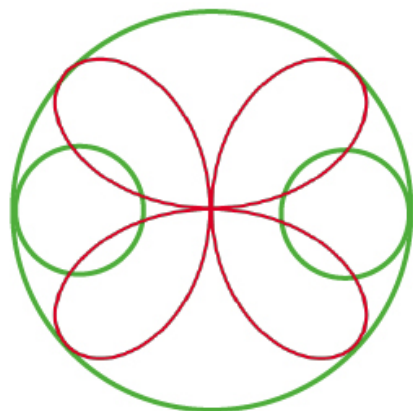
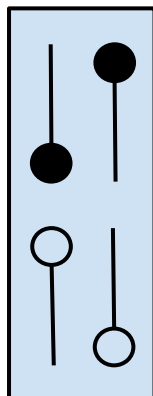
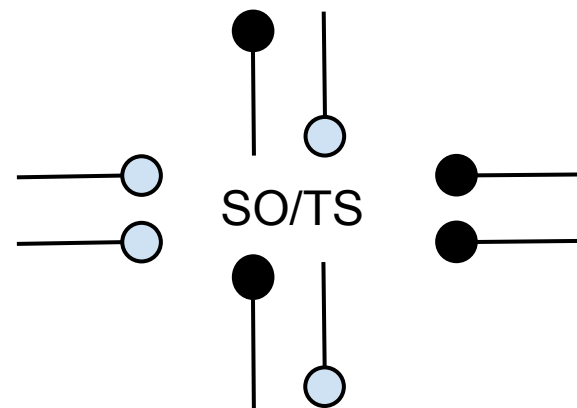
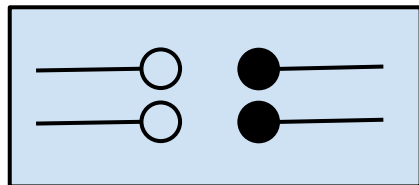
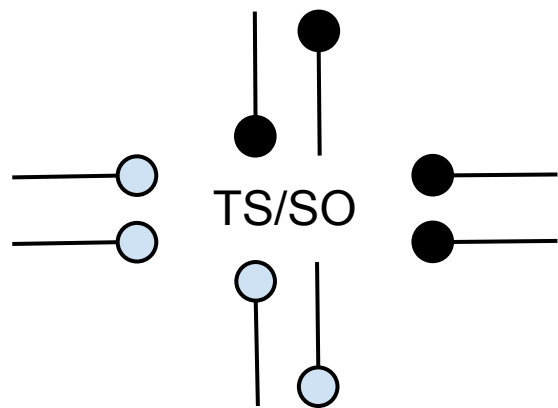
**Diamond Antispin vs Horizontal 2 Petal Spin Flower**



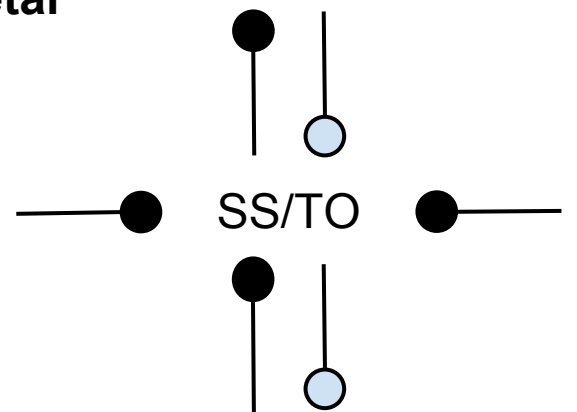
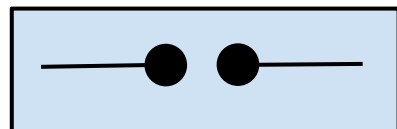
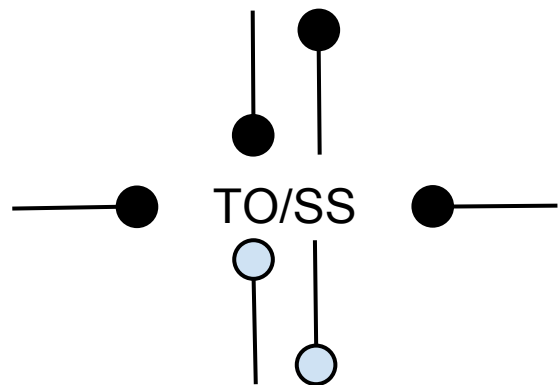


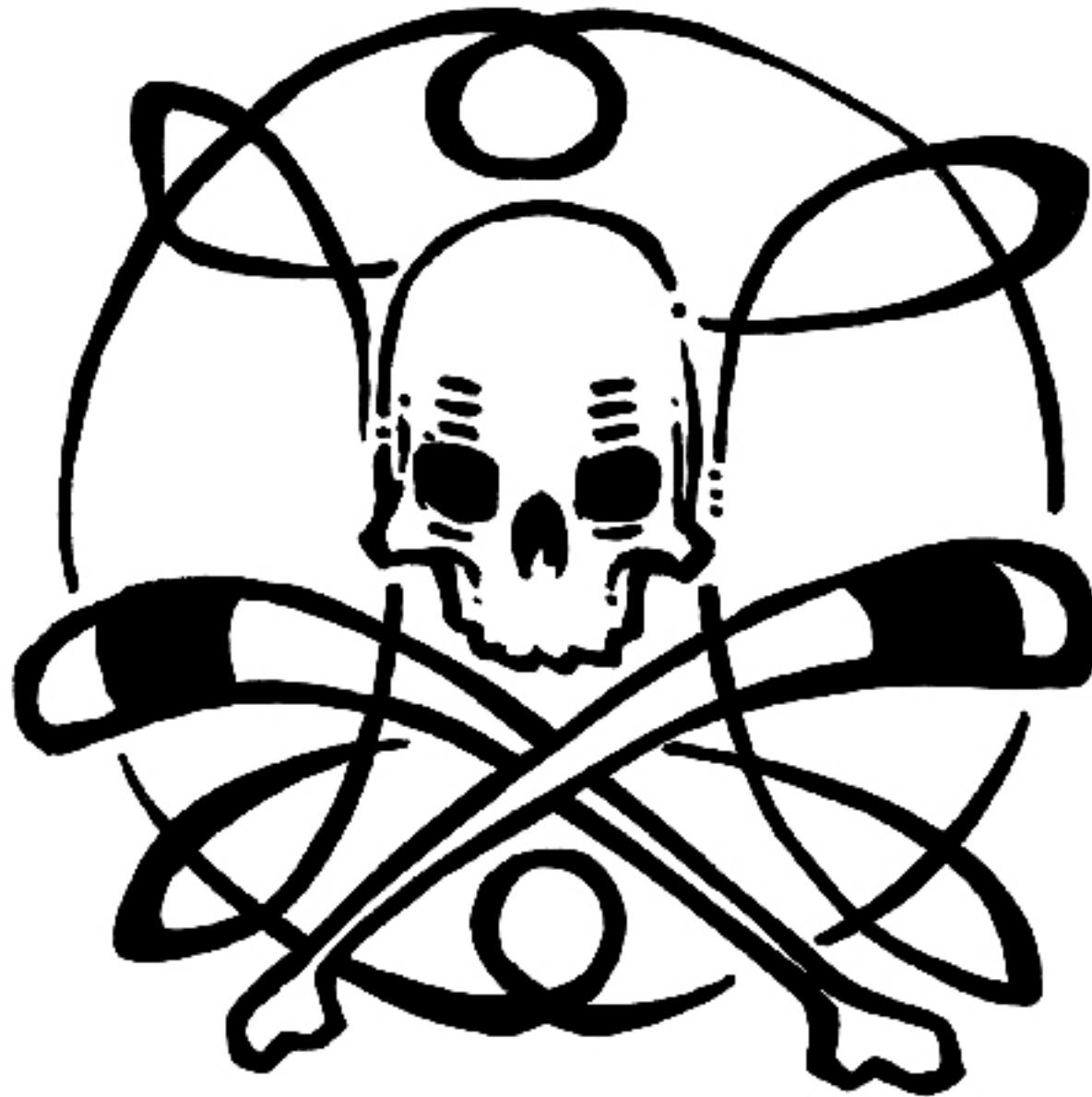
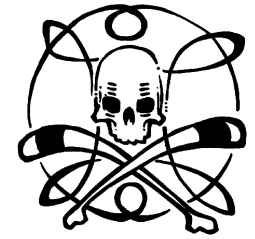
**Box Antispin vs Vertical 2 Petal Spin Flower**





**Box Antispin vs Horizontal 2 Petal Spin Flower**





**OCT 2011 MAKE MORE VIDEOS!!!!  
DOWNLOAD @ [WWW.NOELYEE.COM](http://WWW.NOELYEE.COM)**