

## **VULCAN TECH GOSPEL #2**

**BY DAVID CANTOR AND NOEL YEE**

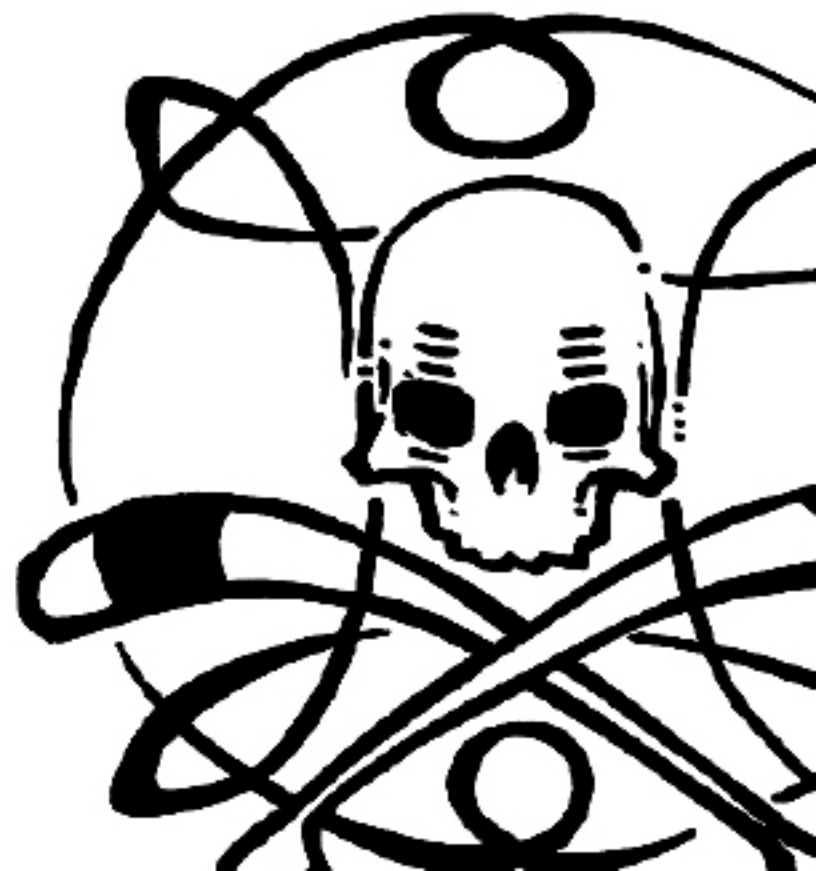
### **CHAPTER #1: TRANSITION THEORY FOR**

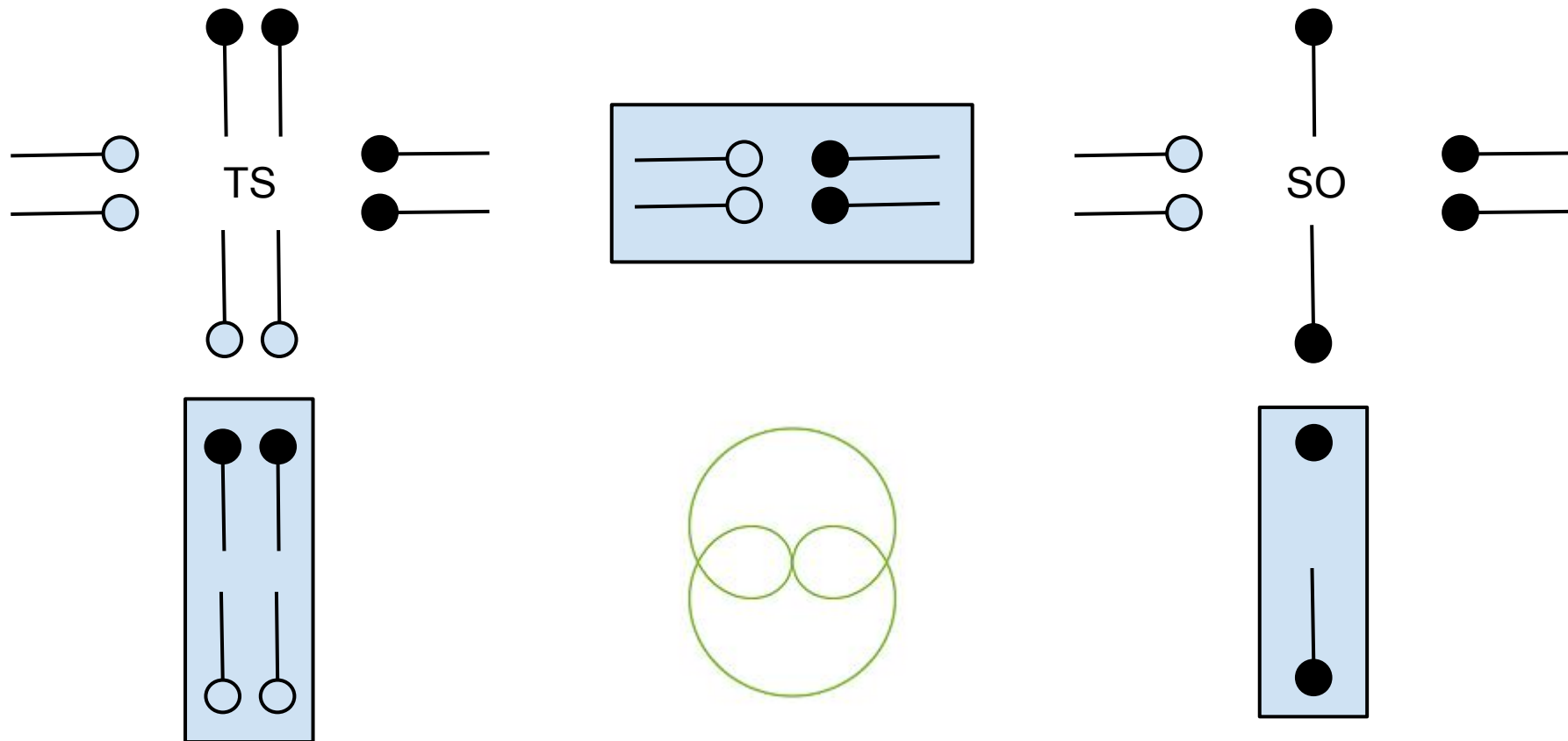
Two Petal Spin Flower Horizontal Orientation

Two Petal Spin Flower Vertical Orientation

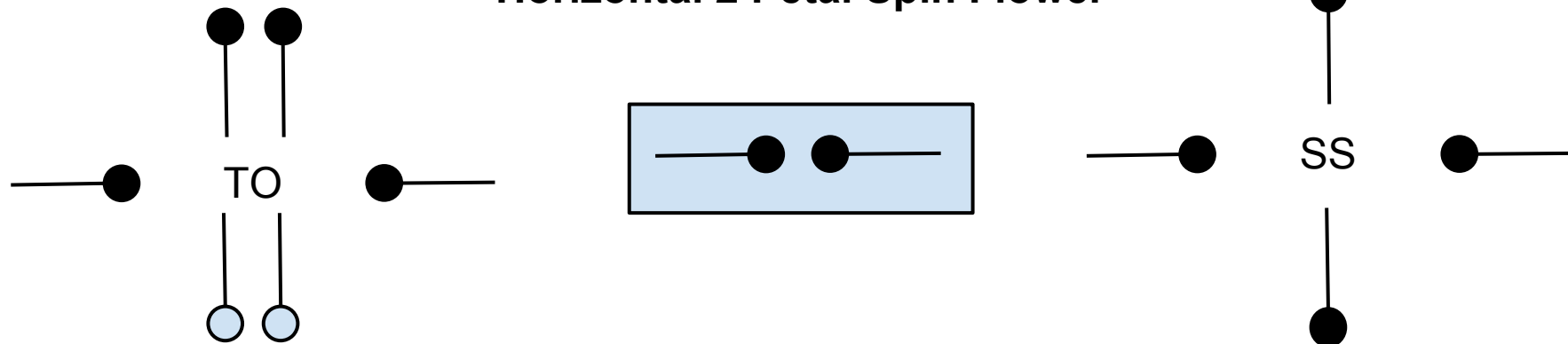
Four Petal Antispin Diamond Orientation

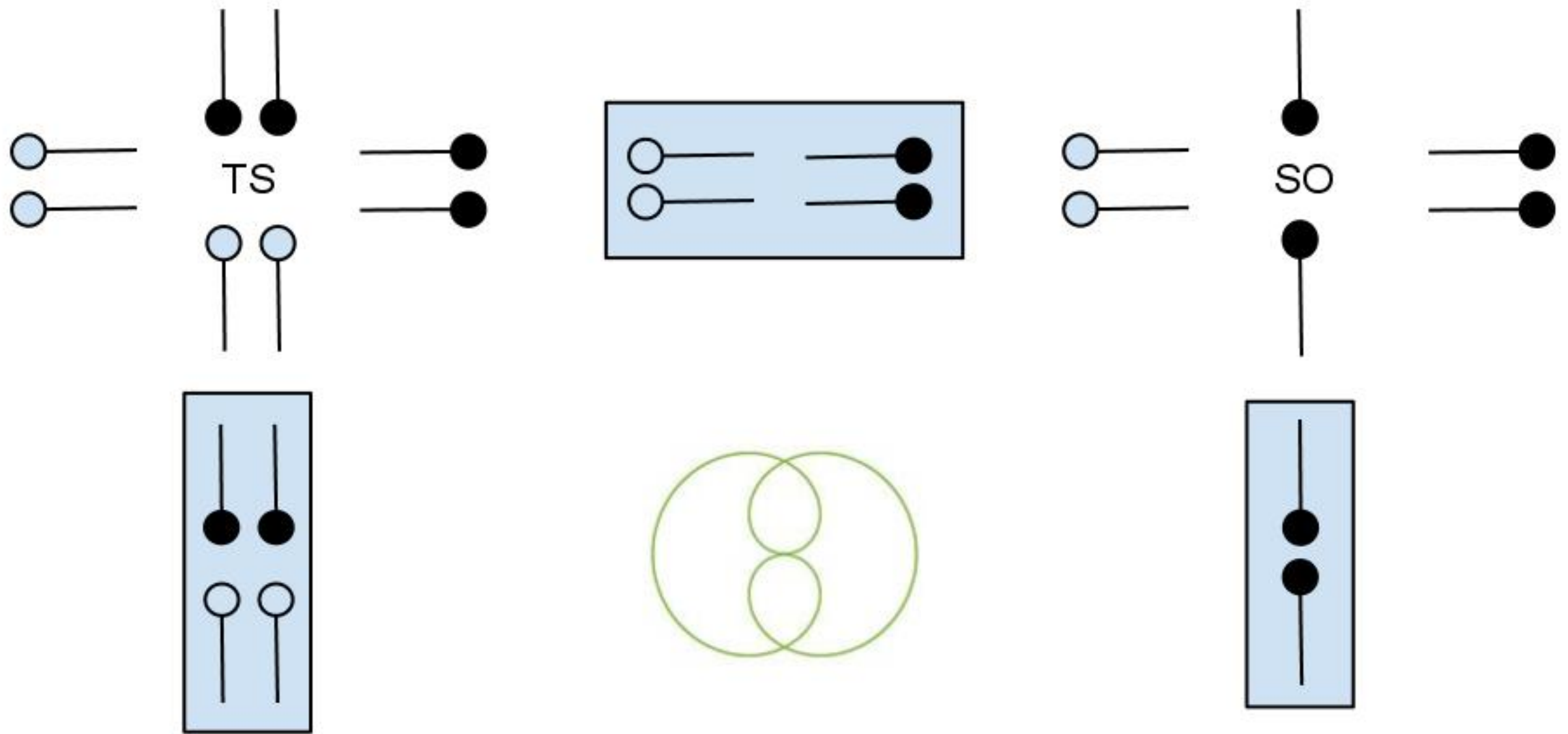
Four Petal Antispin Box Orientation



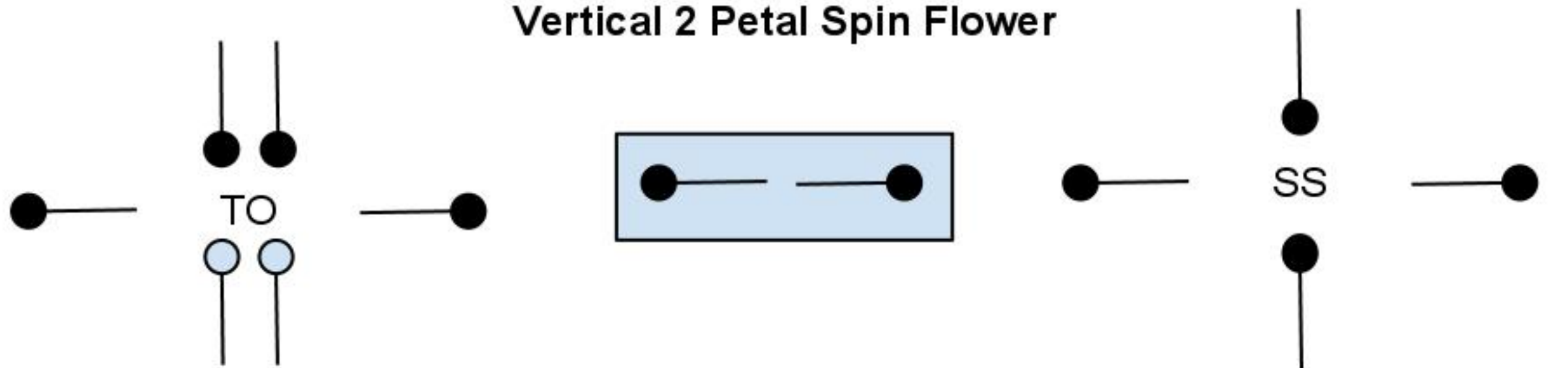


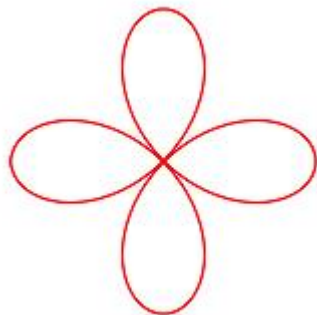
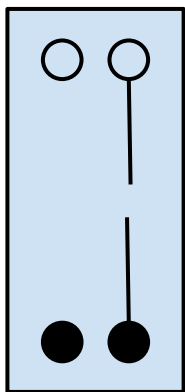
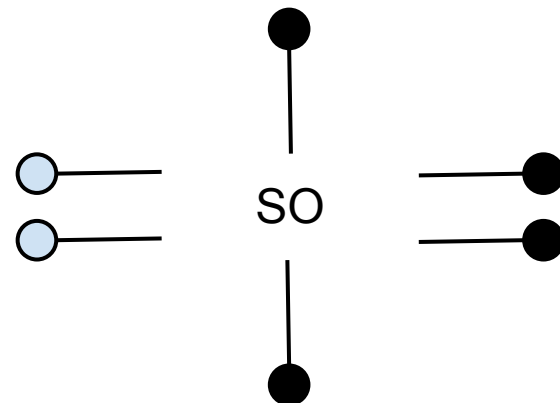
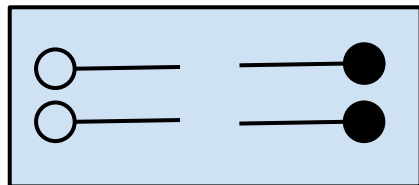
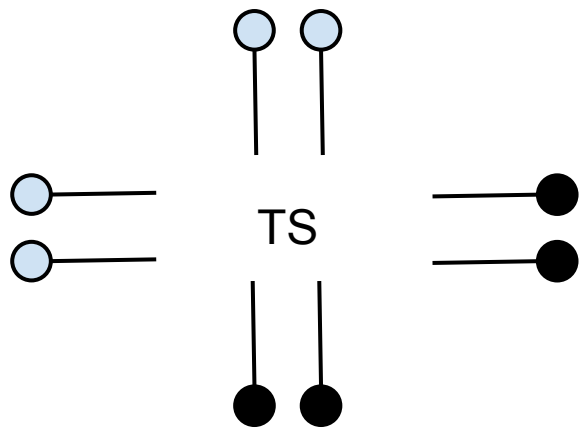
**Horizontal 2 Petal Spin Flower**



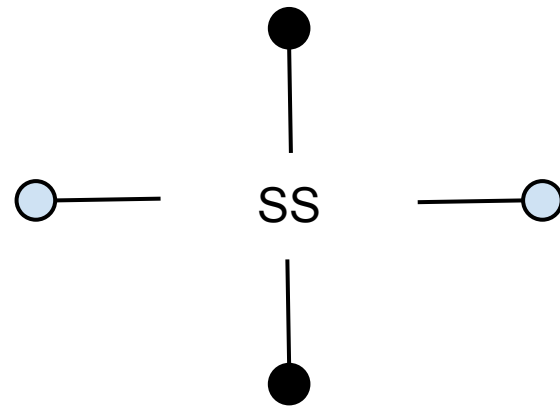
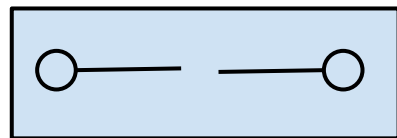
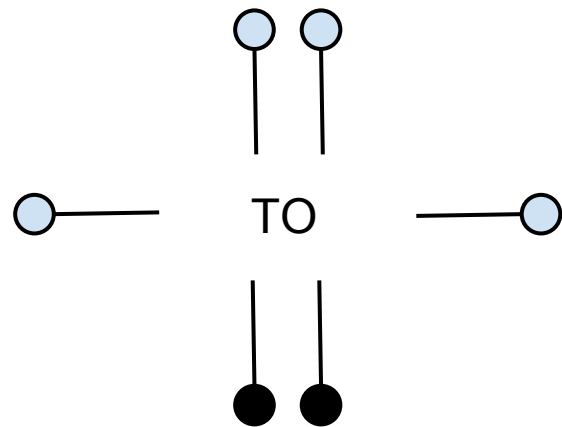


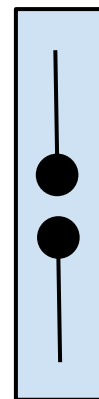
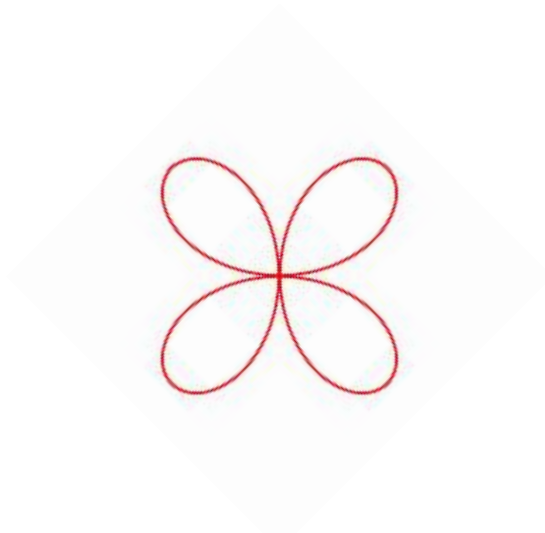
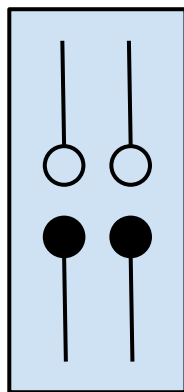
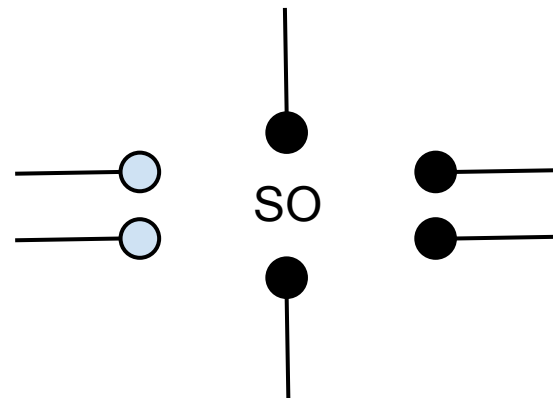
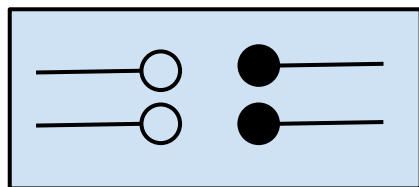
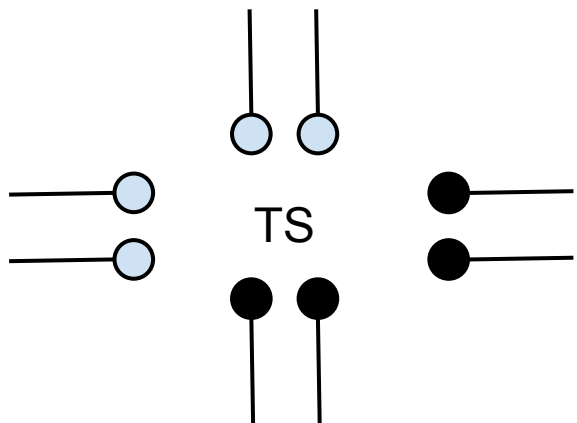
### Vertical 2 Petal Spin Flower



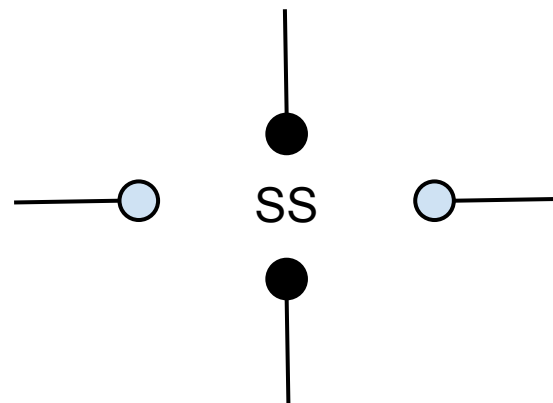
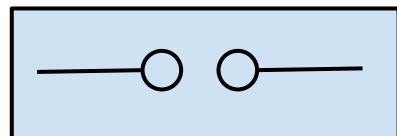
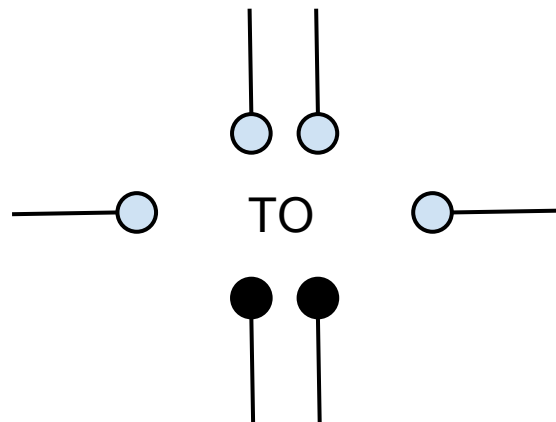


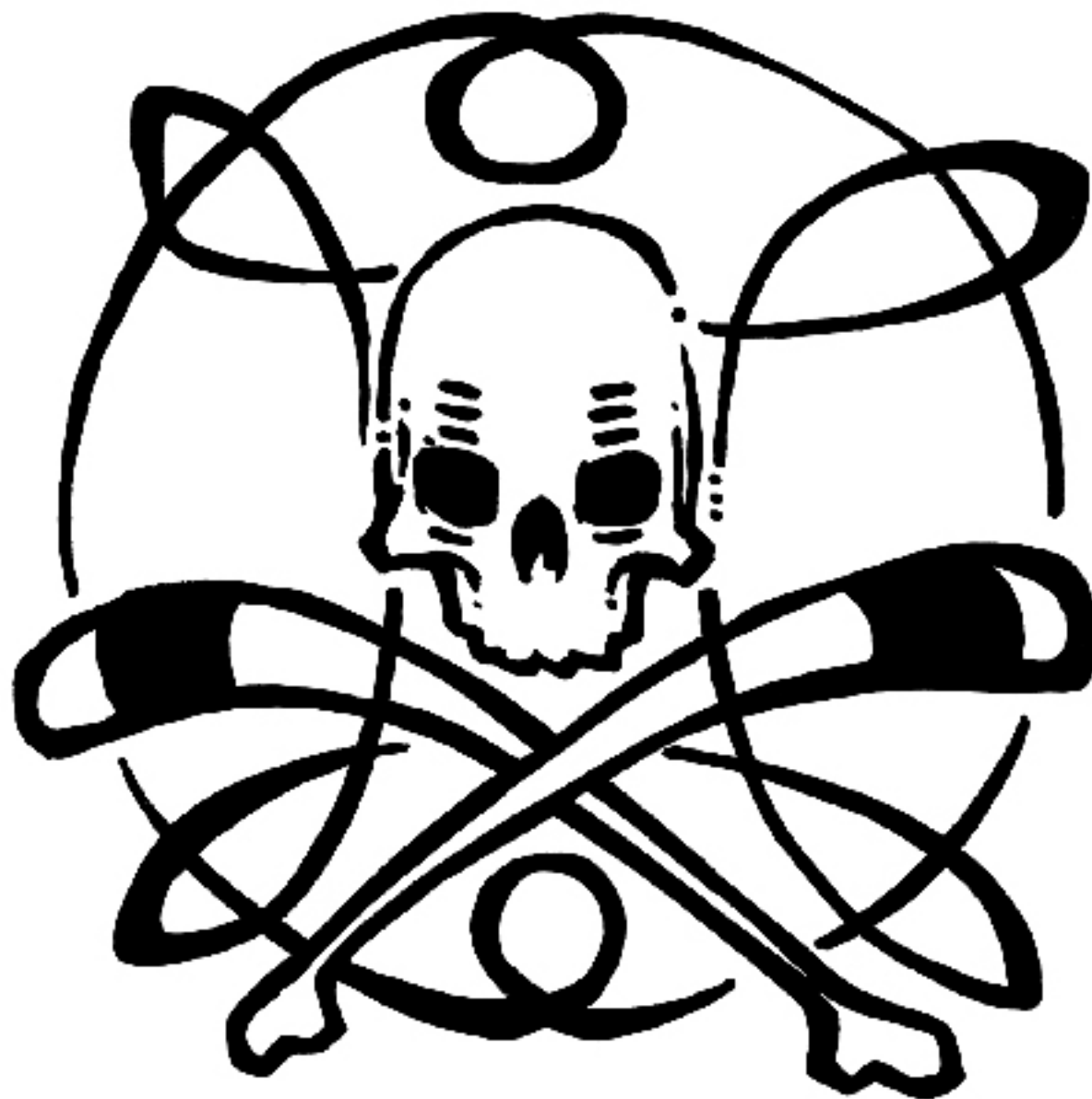
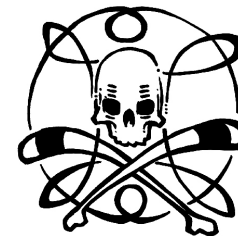
**Diamond Antispin Flower**





**Box Antispin Flower**





**OCT 2011 MAKE MORE VIDEOS!!!!  
DOWNLOAD @ [WWW.NOELYEE.COM](http://WWW.NOELYEE.COM)**